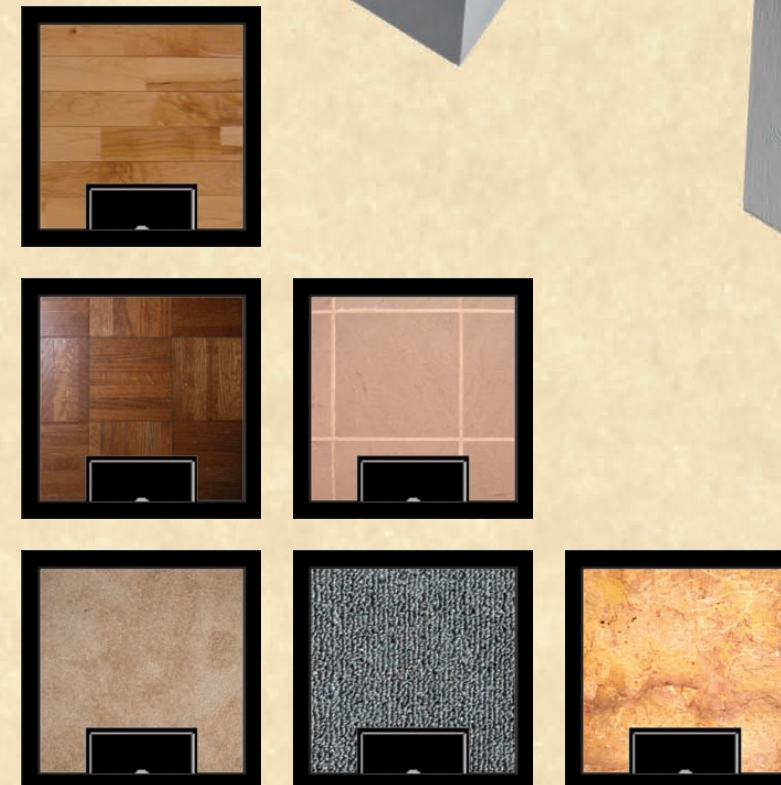
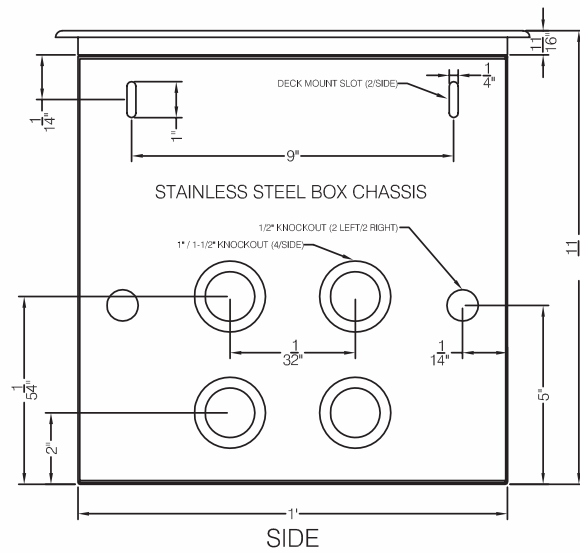
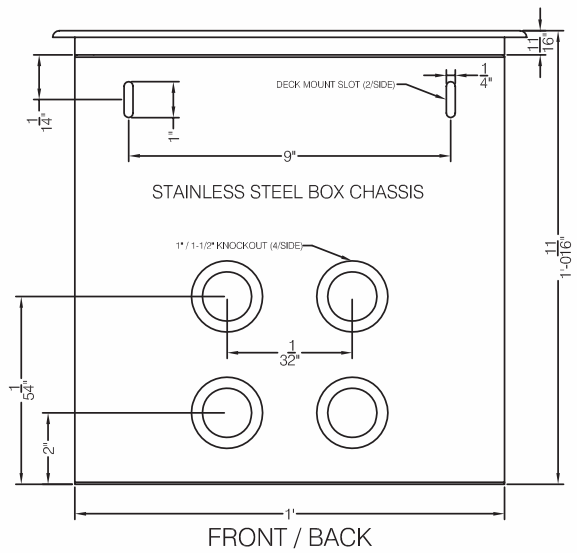
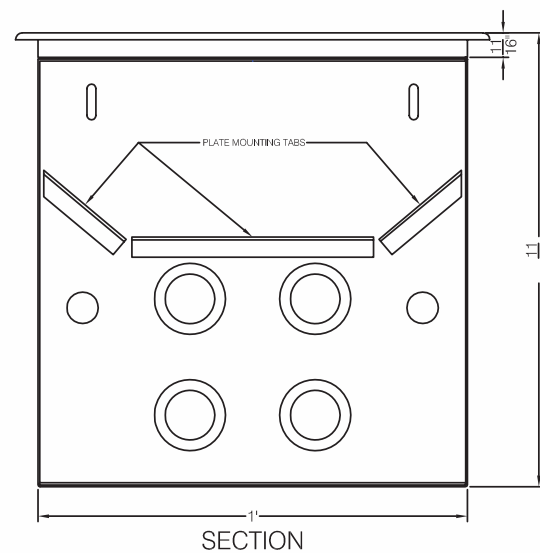
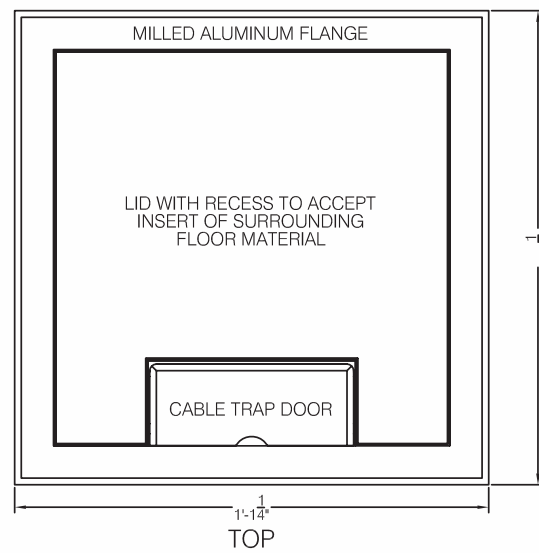


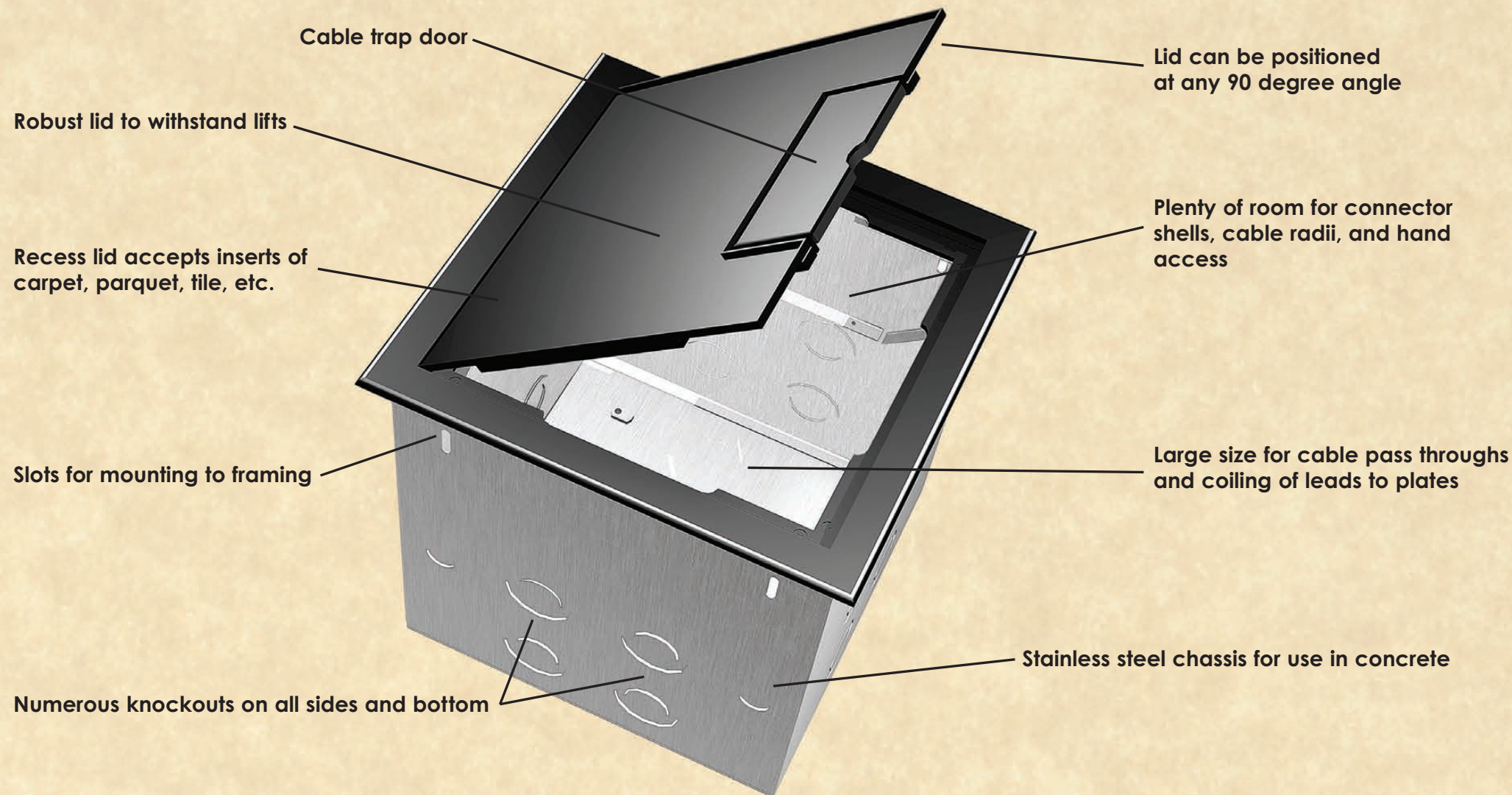
# FB-1 FLOOR BOX

## VENUE TECHNOLOGIES FB-1 FLOOR BOX



**VENUE TECHNOLOGIES**  
 5650 PENWALL STREET • MADISON, WI 53711  
 PHONE: (608) 345-9631 • EMAIL: [sales@venue technologies.com](mailto:sales@venue technologies.com)





The Venue Technologies FB-1 floor box has been designed by media contractors for media contractors. The FB-1 solves all of the typical problems affiliated with other floor boxes available to date.

**Key features include the following:**

1. A lid with a recess to accept carpet, tile, parquet, or whatever the surrounding floor covering is, for low visibility on camera.
2. A robust lid to minimize the chance of damage from lifts.
3. A lid that can be oriented to 0, 90, 180, or 270 degrees for neat cable routing and dressing on stage.
4. Adequate room under the lid for numerous connectors of diverse sizes and types without interference between connector shells or cable exiting the shells, while retaining full visibility of labels and plenty of room for hands.
5. Adequate room under the receptacle plates to allow for large box to box pass throughs, minimizing the cost of home run conduits, and allowing for working lengths of leads. An installer can wire receptacle plates comfortably and efficiently at a table near the box, with room inside to coil the leads, without having lie on the floor. The result is better workmanship and less time on site.
6. Stainless steel chassis eliminating the need for a cast interface box when installed in concrete.
7. A multitude of knockouts on all four sides and the bottom to facilitate numerous conduits of varying diameters for signal and AC power.
8. Availability of wide range of insert plates for signal, camera, and AC power.

